

Breakout Dining Station

Laminate

Models 6850, 6855**Bring style, flexibility and ease to any office-dining occasion.****Benefits**

- Ample interior storage is designed to hold all requirements for a small catering function
- Transport and serve from one sturdy, attractive cart

Features

- Top railing on three sides help hold items securely on top.
- Handy dish storage compartment on user side
- Laminate top and cabinet construction, available in a variety of standard and custom finishes
- Spacious 30" dropleaves fold down for easy transport and storage
- Optional drop-in induction stoves (up to 3) available for cook-to-order meals or reheating appetizers.

Casters

- 4" recessed heavy-duty casters; two swivel, two fixed for smooth easy glide support



Model 6850



Optional Hinged Doors

Specifications:

Shall be Lakeside Model #6850 or 6855 and shall be of laminate construction. Unit shall feature two or three interior storage compartments for storage of bulk food, supplies and equipment. Serving side shall include a recessed open compartment for storage and dispensing of plates. Top shall be of MDF board with black waterproof laminate finish, and shall include a stainless steel rail on three sides. Drop leaves on both ends shall feature swing-out supports for added rigidity. Cabinet shall feature a recessed stainless steel base panel on three sides to conceal casters. Interior compartments shall include an adjustable laminate shelf (except for RH compartment on #6855). One compartment shall have five sets of stainless steel pan ledges with 3" spacing. Casters shall be 4" diameter all-swivel with non-marking cushion tread wheels.

Spec. #

A/A #

Lakeside Manufacturing, Inc.

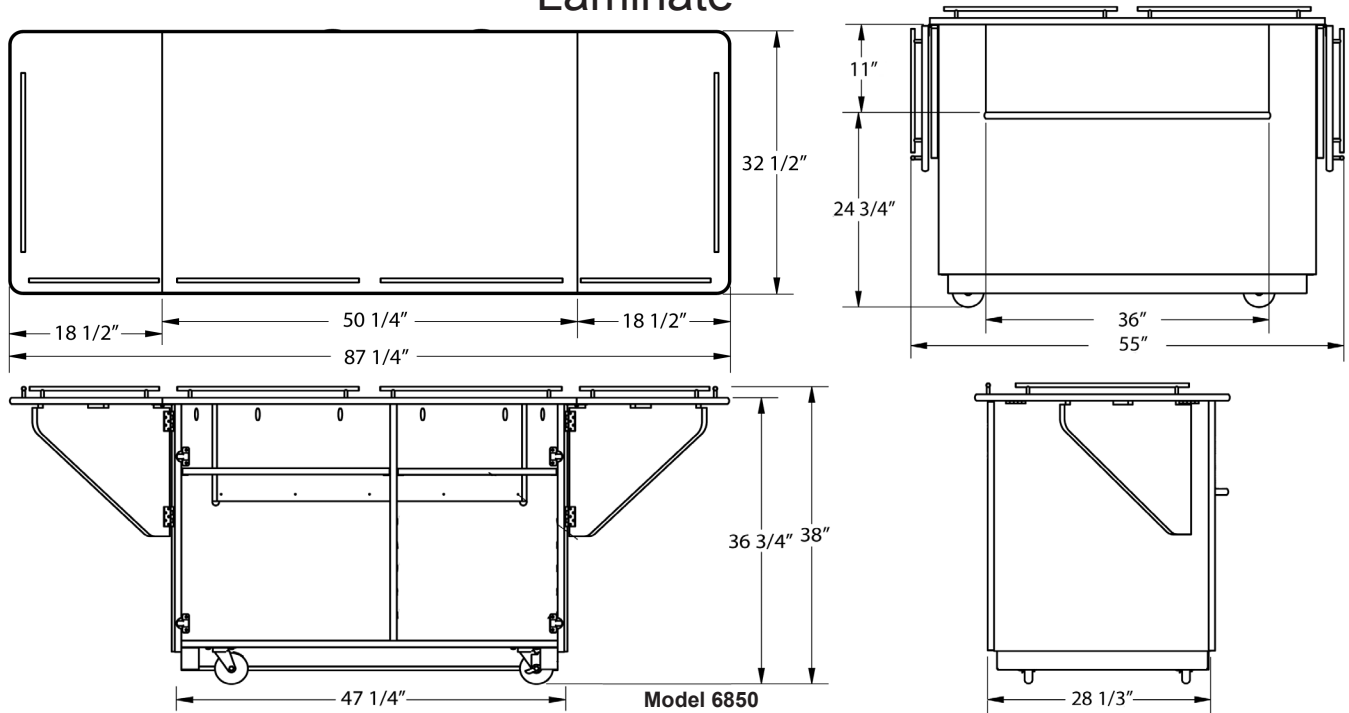
4900 West Electric Avenue • West Milwaukee, WI 53219 U.S.A.

800-558-8565 • 414-902-6400 • Fax 414-902-6446 • info@eLakeside.com • www.eLakesideFoodservice.com

Models
6850, 6855

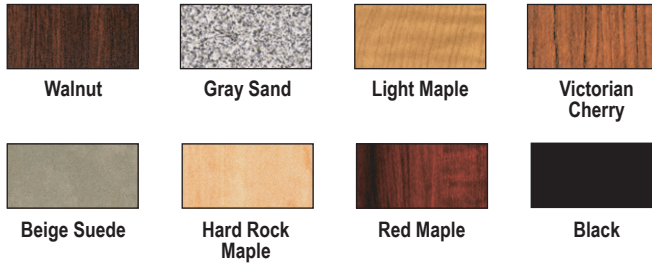
Breakout Dining Station

Laminate



Spec. #

Available Finishes



This product can expose you to wood dust and chemicals including chromium, which are known to the State of California to cause cancer. For more information go to: www.P65Warnings.ca.gov

Custom Finishes Available.

Dimensions:

Model	Interior Compartments			Leaves	Overall Size			Dish Compartment			Drop Leaves		Top (Leaves Up)		Case Wt. Lbs.	
	W	D	H		W	L	H	W	D	H	W	D	L	W		
6850	Left:	25 1/4"	27 1/4"	30 1/2"	Up:	32 1/2"	87 1/4"	38"	36"	12"	11"	16 3/8"	30 1/2"	83 1/2"	30 1/2"	315 (142 kg)
		(641)	(692)	(775)		(825)	(2216)	(965)	(914)	(305)	(279)	(416)	(775)	(2121)	(775)	
6855	Right:	19 1/2"	27 1/4"	30 1/2"	Down:	32 1/2"	55"	38"								355 (160 kg)
		(495)	(692)	(775)		(825)	(1397)	(965)								
6855	Left:	25 1/4"	27 1/4"	30 1/2"	Up:	32 1/2"	99"	38"	48"	12"	11"	16 3/8"	30 1/2"	95"	30 1/2"	355 (160 kg)
		(641)	(692)	(775)		(825)	(2515)	(965)	(1219)	(305)	(279)	(416)	(775)	(2413)	(775)	
	Center:	19 1/2"	27 1/4"	30 1/2"	Down:	32 1/2"	67"	38"								
		(495)	(692)	(775)		(825)	(1702)	(965)								
	Right:	11 1/2"	27 1/4"	30 1/2"												
		(292)	(692)	(775)												

Measurements in () are in metric millimeters unless otherwise noted.

Options:

- Hinged Doors (with or without lock)
- Solid surface resin top
- Top display shelf (glass)
- Drop-in induction stoves
- Drop-in cold pans (eutectic)

Finishes:

- Walnut
- Red Maple
- Gray Sand
- Black
- Beige Suede
- Hard Rock Maple
- Light Maple
- Victorian Cherry
- Custom _____



Lakeside Manufacturing, Inc.
4900 West Electric Avenue • West Milwaukee, WI 53219 U.S.A.
800-558-8565 • 414-902-6400 • Fax 414-902-6446
info@eLakeside.com • www.eLakesideFoodservice.com