

Beverage Service Cart

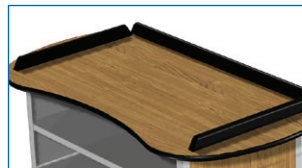
Stainless Steel With Laminate



Model 675
(Shown in Victorian Cherry
finish with optional doors.)



Model 636



Optional Contour Top

Models
636, 672, 675
676, 678, 681

Transport And Serve From One Attractive Cart

Benefits

- Eliminates the need for serving tables, linens
- Can be loaded in kitchen for transport to serving area

Features

- Durable welded stainless steel construction
- Interior stainless steel shelves store supplies and service items
- Waterproof laminate top with 2" side and back rails
- Choice of laminate/vinyl exterior finishes
- Available in three sizes, with or without spacious dropleaves

Castors

- Heavy-duty 5" or 4" diameter with rounded cushion-tread for quiet, easy movement

Specifications:

Unit shall be of welded stainless steel construction with decorative laminate top and exterior. Cabinet shall have 20-gauge sides and 24-gauge bottom, with 20-gauge interior shelves. Top shall be 3/4" plywood with finished back and waterproof laminate top finish. Top shall have black vinyl T-molding edge, and have 2" high HDPE rails on three sides. Exterior stainless steel side panels shall be covered with either heavy-duty vinyl or laminate in choice of standard or custom finishes. Models with dropleaves shall feature swing-out supports in color matching finish. Unit shall have four each plate type swivel casters, two with brake, mounted to a galvanized steel dolly on unit base. Caster wheels shall be 5" diameter (4" on Models 636 and 672) with non-marking, rounded cushion tread.

Spec. #

A/A #

Lakeside Manufacturing, Inc.

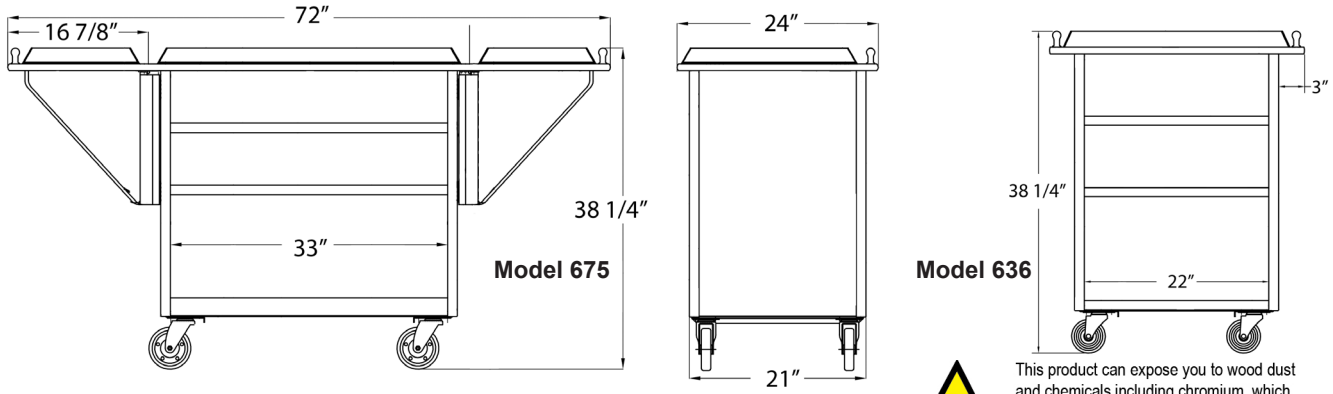
4900 West Electric Avenue • West Milwaukee, WI 53219 U.S.A.

800-558-8565 • 414-902-6400 • Fax 414-902-6446 • info@eLakeside.com • www.eLakesideFoodservice.com

Models
636, 672, 675
676, 678, 681

Beverage Service Cart

Stainless Steel With Laminate



This product can expose you to wood dust and chemicals including chromium, which are known to the State of California to cause cancer. For more information go to: www.P65Warnings.ca.gov

Product Information:

Model	Overall Size			# of	Interior Shelves		Top Description		Caster Dia.	Case Wt. Lbs.
	W	L	H		Size	Clearance	Leaves	Size		
<i>Models With Drop-leaves</i>										
672	21" (533)	33 ¹ / ₈ " (841)	38 ¹ / ₄ " (973)	2 ea.	15 ¹ / ₂ " x 24" (394 x 610)	7 ³ / ₈ " (187)	Up	19 ¹ / ₂ " x 45 ³ / ₈ " (495 x 1153)	4" (102)	128 (58.2 kg)
				1 ea.	15 ¹ / ₂ " x 24" (394 x 610)	12 ³ / ₈ " (314)	Down	19 ¹ / ₂ " x 27 ³ / ₈ " (495 x 695)		
675	24" (610)	44 ¹ / ₄ " (1126)	38 ¹ / ₄ " (973)	2 ea.	21" x 35" (533 x 889)	6 ¹ / ₄ " (159)	Up	22 ¹ / ₂ " x 72" (572 x 1829)	5" (127)	211 (95.9 kg)
				1 ea.	21" x 35" (533 x 889)	12 ¹ / ₄ " (311)	Down	22 ¹ / ₂ " x 44 ¹ / ₂ " (572 x 1130)		
676	24" (610)	61 ³ / ₄ " (1568)	38 ¹ / ₄ " (973)	2 ea.	21" x 50" (533 x 1270)	6 ¹ / ₄ " (159)	Up	22 ¹ / ₂ " x 93 ¹ / ₄ " (572 x 2369)	5" (127)	231 (105 kg)
				1 ea.	21" x 50" (533 x 1270)	12 ¹ / ₄ " (311)	Down	22 ¹ / ₂ " x 56" (572 x 1422)		
<i>Models Without Drop-leaves</i>										
636	21" (533)	30 ³ / ₄ " (768)	38 ¹ / ₄ " (973)	2 ea.	15 ¹ / ₂ " x 24" (394 x 610)	7 ³ / ₈ " (187)	N/A	19 ¹ / ₂ " x 27 ¹ / ₂ " (495 x 697)	4" (102)	107 (48.6 kg)
				1 ea.	15 ¹ / ₂ " x 24" (394 x 610)	12 ³ / ₈ " (314)				
678	24" (610)	40 ³ / ₄ " (1035)	38 ¹ / ₄ " (973)	2 ea.	21" x 35" (533 x 889)	6 ¹ / ₄ " (159)	N/A	22 ¹ / ₂ " x 37 ³ / ₄ " (572 x 964)	5" (127)	164 (74.6 kg)
				1 ea.	21" x 35" (533 x 889)	12 ¹ / ₄ " (311)				
681	24" (610)	58 ³ / ₈ " (1483)	38 ¹ / ₄ " (973)	2 ea.	21" x 50" (533 x 1270)	6 ¹ / ₄ " (159)	N/A	22 ¹ / ₂ " x 55 ⁵ / ₈ " (572 x 1411)	5" (127)	184 (83.6 kg)
				1 ea.	21" x 50" (533 x 1270)	12 ¹ / ₄ " (311)				

Dimensions in () denote metric millimeters, unless otherwise noted.

Available Finishes



Walnut Gray Sand Light Maple Victorian Cherry



Beige Suede Hard Rock Maple Red Maple Red Green Black Royal Blue Purple

Options:

- 2 ea. brake casters
- Contour top
- Hinged doors
- Hinged doors with lock
- Pull-out silverware drawer (Models 676, 681)



Lakeside Manufacturing, Inc.
 4900 West Electric Avenue • West Milwaukee, WI 53219 U.S.A.
 800-558-8565 • 414-902-6400 • Fax 414-902-6446
 info@eLakeside.com • www.eLakesideFoodservice.com

Spec. #

AIA #