

# SURGICAL CASE CARTS

## Space-Saving Design

### Models

□ CC142 □ CC242 □ CC158 □ CC258



Model CC242



Optional Clean / Biohazard  
I.D. Flag System

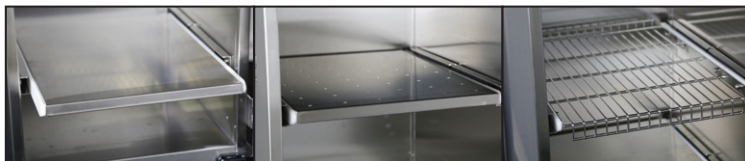


### Benefits

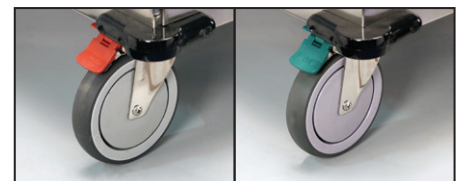
- Quiet, smooth ease of transport
- Space-saving design for tight spaces
- Cart washable
- Maximized interior storage space with ease of loading
- Durable long life

### Features

- Stainless steel construction
- Medical grade sealed casters, offset for maneuvering over thresholds
- Heavy-duty stainless steel door hinges
- Available door gasket seals interior
- Stainless steel slide-out, height-adjustable shelves (one solid style included)
- Base corner bumpers
- Angled top-mount dual push handles



Solid Shelf      Optional Perforated Shelf      Optional Wire Shelf



Sealed MedCasters by Colson; two  
directional locking and two braking

### Optional Accessories

- Full-perimeter bumper
- Clean/biohazard ID flag system
- Perforated compartment floor
- Side-mount I.D. holder
- Floor drain with plug
- Additional wire, perforated, or solid shelves
- Door gasket

**Custom Configurations & Accessories Available**



Heavy-duty Stainless  
Steel Door Hinges



Optional  
Door Gasket

# SURGICAL CASE CARTS

## Space-Saving Design

Models **CC142, CC242, CC158, CC258**

### Specifications:

All-welded stainless steel construction with 16-gauge base floor and top, and 20-gauge sides and back. Unit sides have a slam/catch to hold doors in 270° open position. Doors (right on Models CC242, CC258) have Stay-closed magnet to assure door closure during transport. Dual ergonomic push handles are mounted to angled top corners. One adjustable solid stainless steel shelf is included (perforated and wire shelf options available), having a 70 lb. weight capacity, and featuring polyoxymethylene (POM) heavy-duty, low-friction slides. Slides have internal slotted stop allowing 50% pullout of shelves to prevent tipping. Casters are 6" diameter all-swivel plate-mount with sound deadening caster pads to reduce travel noise. Two casters are directional locking, two are braking, and all four are offset for ease of movement over thresholds.

### 2-Door Models:

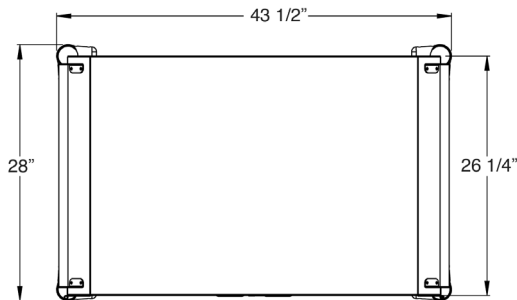
Feature center astragal to maximize storage (no center post to obstruct loading).



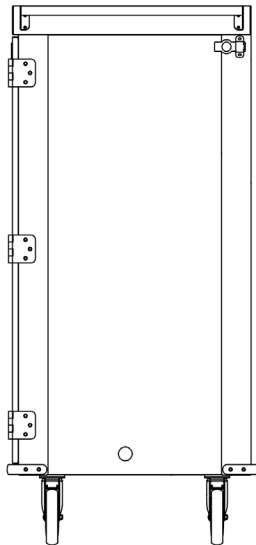
Optional I.D. Holder

### Model Information:

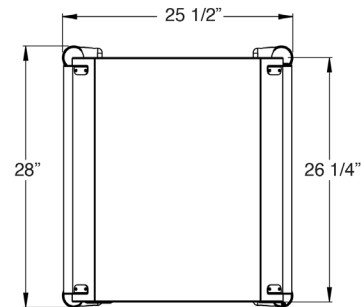
Model	# Of Doors	Unit Wt. (Lbs)	Overall Size		
			W	D	H
CC142	1	130	25½"	28"	42"
CC242	2	190	43½"	28"	42"
CC158	1	165	25½"	28"	58"
CC258	2	225	43½"	28"	58"



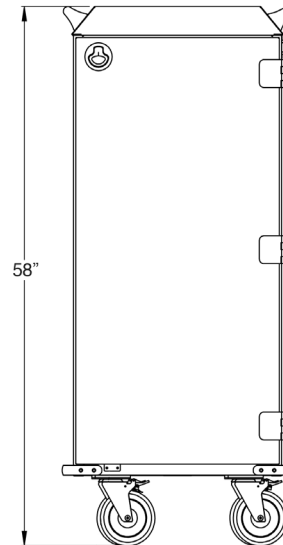
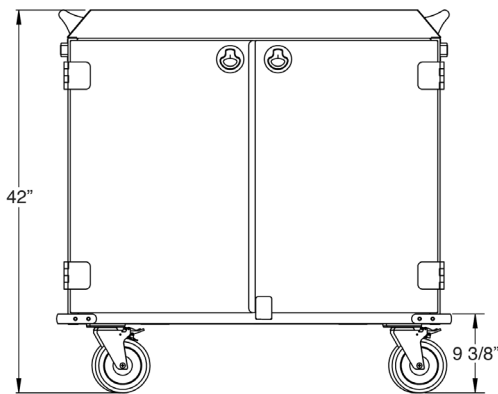
Model CC242



Side View



Model CC158



Lakeside Manufacturing, Inc.  
 4900 West Electric Avenue • West Milwaukee, WI 53219 U.S.A.  
 800-558-8565 • 414-902-6400 • Fax 414-902-6446  
 info@elakeside.com • www.eLakesidehealthcare.com