



ASSEMBLY INSTRUCTIONS FOR
CLASSIC



MEDICAL CARTS
AND CABINETS

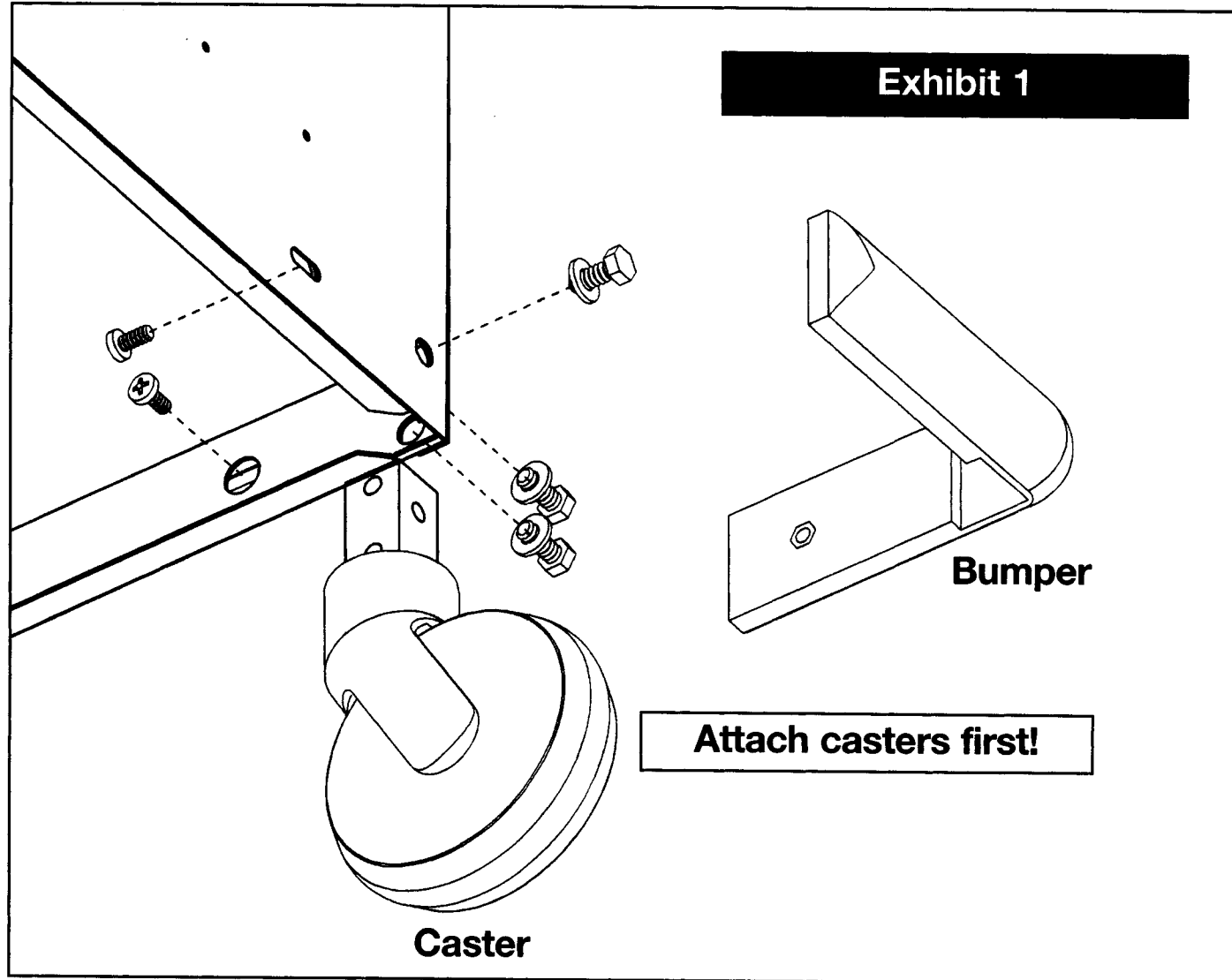
**Contact Lakeside's award winning Customer Loyalty Specialists
for more information or to place your order today!**

1-800-558-8565



4900 West Electric Avenue • West Milwaukee, WI 53219
toll free: 800-558-8565 • phone: 414-902-6400 • fax: 414-902-6446 • www.eLakeside.com

Thank you for investing in a Homed by Lakeside Classic Medical cart. We at Lakeside have listened to your requirements in a medical cart and responded. The Homed Classic Cart incorporates the design and features that you have requested. We are proud of our Medical Carts and are confident they will meet your expectations.



Before Assembly

Open the cart and remove all hardware from the drawer.

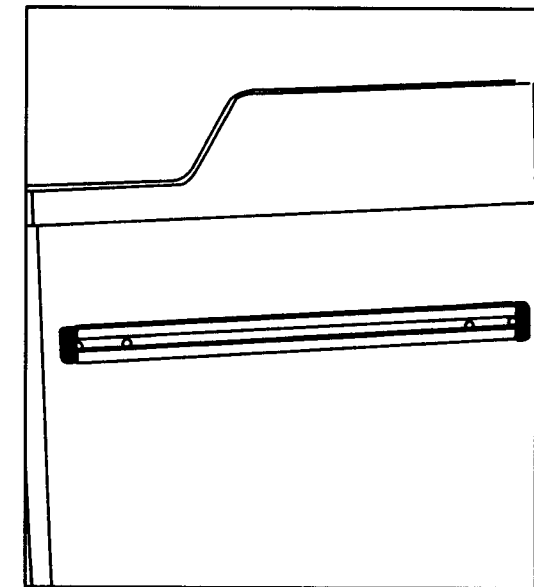
Caster Assembly

Attach casters first.

1. Place pad down and place cart upside down on pad. See Exhibit 1.

2. Position casters so that the 2 brake casters are in the front position.
3. Align caster into the corner of the cart. Assemble hex bolt and washer, then position through cart into opening on caster stem.

Parts:	5/16"-18x1" hex Bolt	12 each
	Flat Washer	12 each
	Caster with brake	2 each
	Caster	2 each



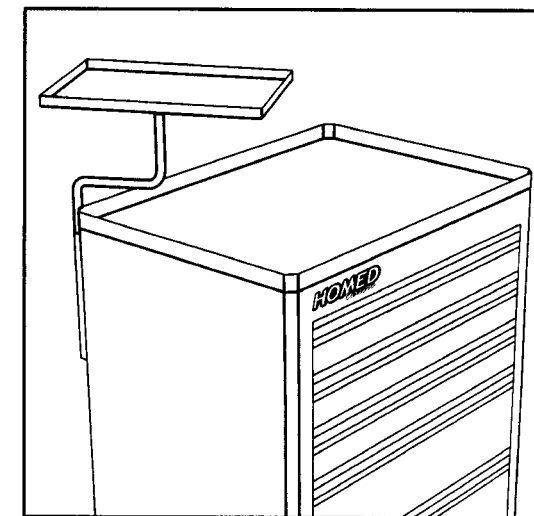
26039M ACCESSORY BAR

- Parts: 10/24 x 1-1/4" Screws (2)
 Nylon Spacers (2)
 End Caps (2)

Installation:

To accommodate your specific requirements, the 26039M accessory bar can be secured into two different locations on each side of the cart. See Exhibit 4 for details.

1. Align accessory bar with pre-drilled holes on side of cart.
2. Place nylon spacer between cart and bar.
3. Insert screw and tighten.
4. Insert end caps into bar.



26033M DEFIBRILLATOR SHELF

- Parts: #10-7/8" Phillips Head Screws (4)

Installation:

Please note the Defibrillator shelf can be installed on either side of the cart.

1. Attach bracket to pre-drilled holes on cart. See Exhibit 3 for details.
2. Insert swing arm with washer-stop into bracket sleeve and tighten screws.
3. Insert other end of swing arm into sleeve on underside of shelf and tighten screw.

Maintenance

Your Homed by Lakeside Classic Cart has been designed with simplicity and trouble-free service in mind. With a little care, this cart will provide years of service.

1. Clean your cart with a mild detergent or ammonia-based cleanser. This cleaning will prevent dirt from building up which may reduce the life and impair the operation of the cart. Wipe the ABS plastic top with a damp cloth and mild cleaning solution. Do not saturate the cart with any liquid. Clean up all spills with a dry, absorbent cloth.
2. Lubrication: Your cart's drawer glides need to be cleaned and lubricated once a year. This prevents dirt from accumulating which would prevent the drawers from working properly.

Exhibit 3

INSTALLING ACCESSORIES

All accessories will utilize a #10-7/8" long Phillips head screw to attach accessory to cart.

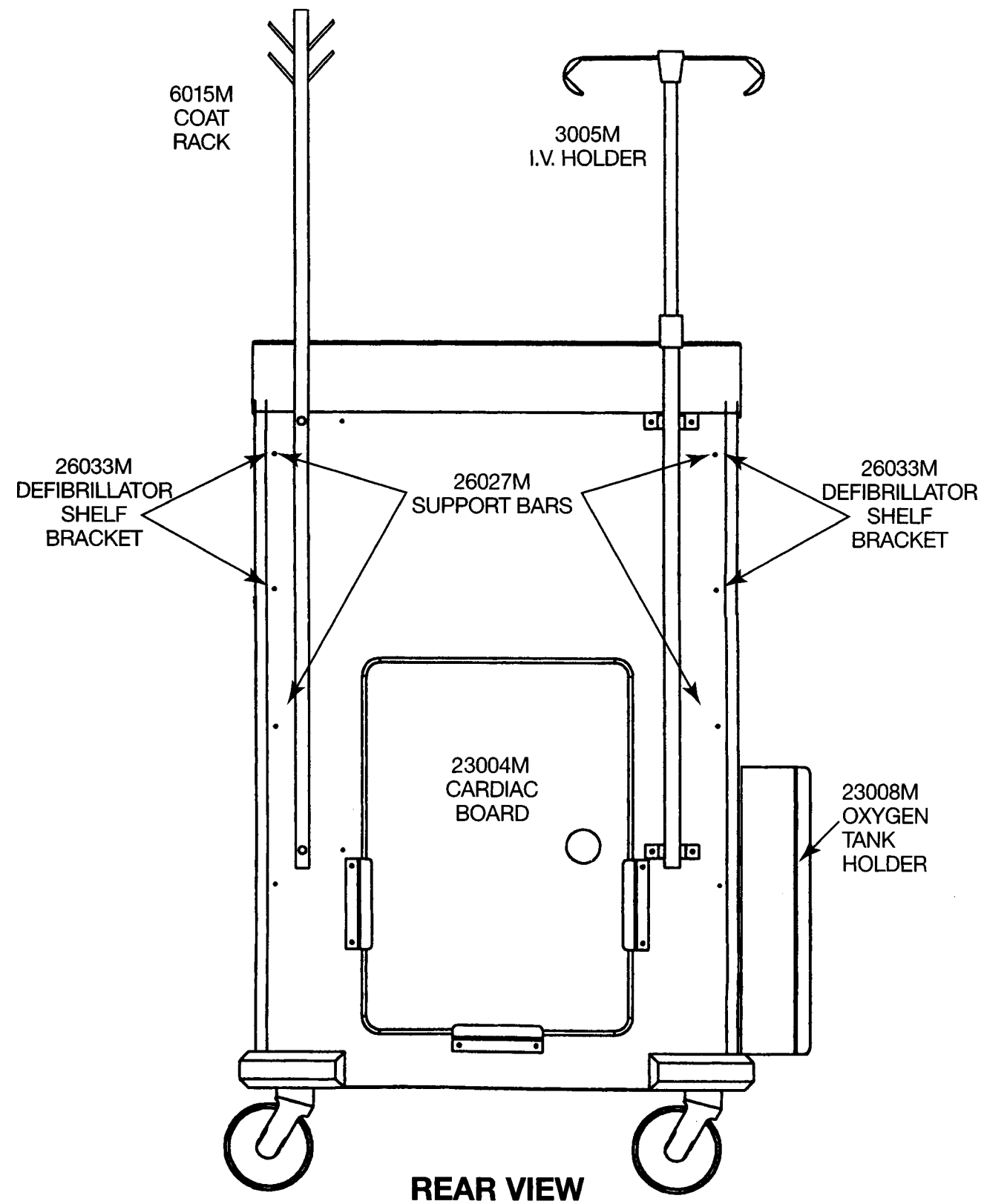
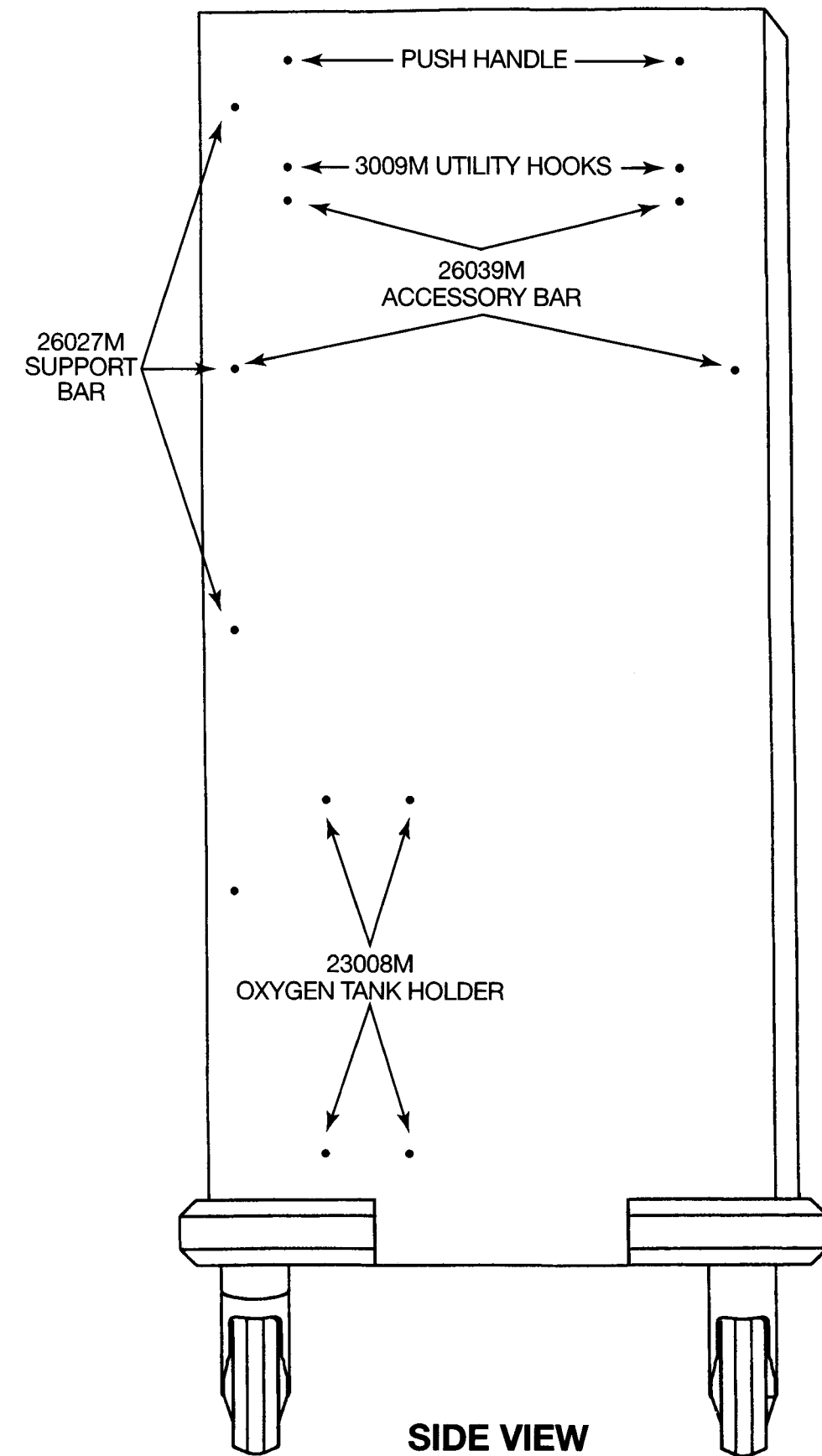
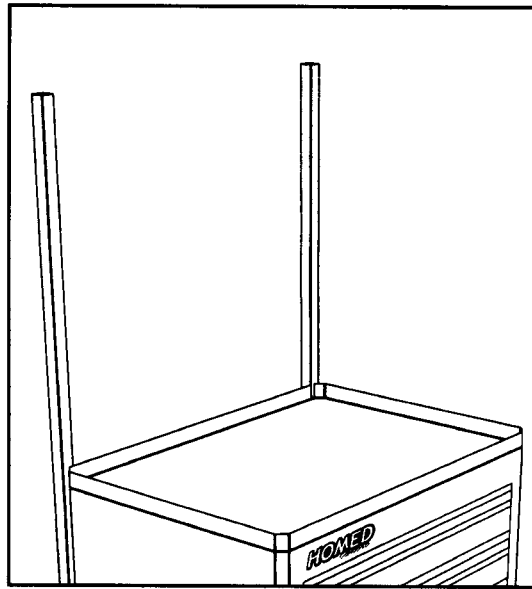


Exhibit 4





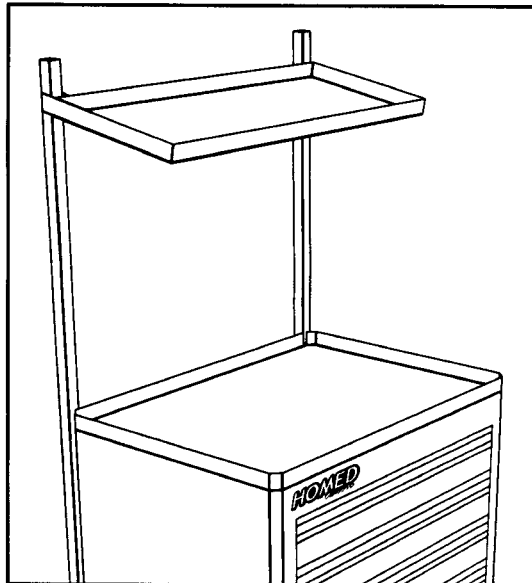
Installing Accessories

26027M SUPPORT BARS

Parts: #10-7/8" Phillips Head Screws (12)
End Caps (2)

Installation:

1. Align holes in angle iron on support bar with pre-drilled holes on cart. See Exhibit 3 for details.
2. Insert screw and tighten.
3. Repeat for remaining holes.
4. Insert end caps into support bars.

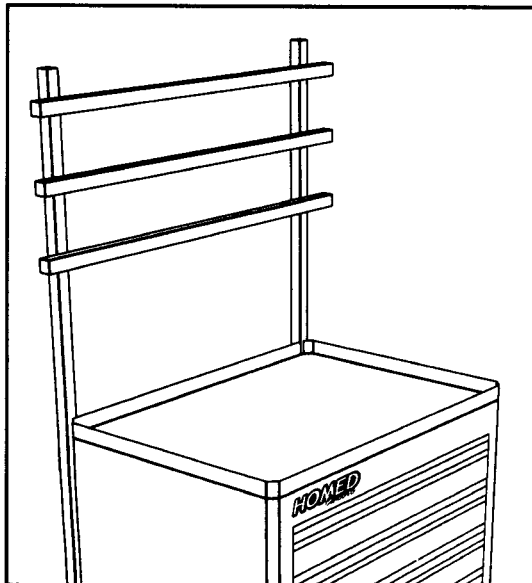


26020MS STRAIGHT SHELF, 26020MA ANGLED SHELF

Parts: Each Shelf contains:
1/4"- 20 x 1-3/8" Slotted Screws (2)
Key Nuts (2)

Installation:

1. Once the 26027M support bars are properly installed, set shelf onto the support bars by aligning the square tubing on shelf over the square tubing of the support bar.
2. Gently lower the shelf into position. Once you have the shelf where you want it, insert the screw with the threads facing the back of the cart.
3. Install key nuts and tighten.
4. Repeat for remaining holes and shelves.
5. Insert end caps into the tops of support bars.



26021M TRELLIS BARS

Parts: 1/4"- 20 x 1-3/8" Slotted Screws (6)
Key Nuts (6)
End Caps (6)

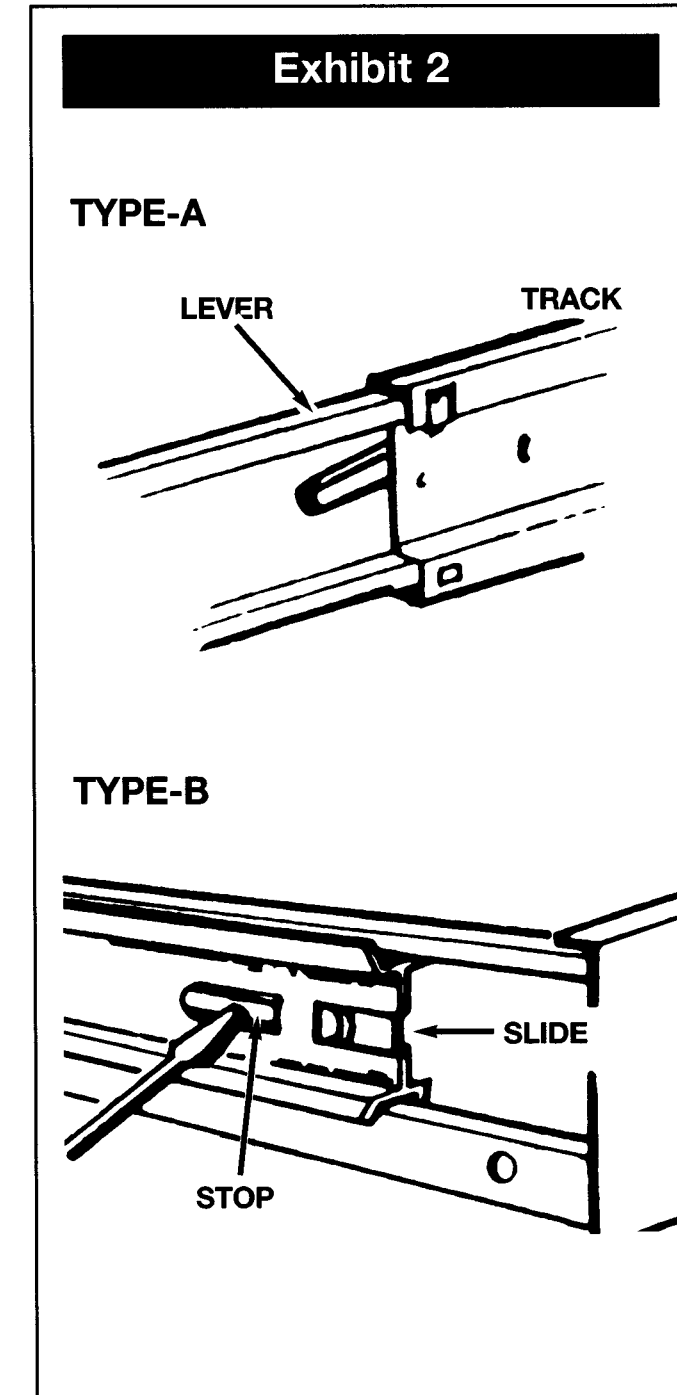
Installation:

1. Place the trellis bar in front of the 26027M support bar. Align hole in trellis bar with desired hole in support bar.
2. Place the 1/4-20 x 1-3/8" screw through the trellis bar into the support bar. Attach the key nut to screw. Nut should be on the backside of the support bar; tighten.
3. Repeat for remaining trellis bars.
4. Insert end caps into trellis bars and support bars.

Bumper Assembly

1. With casters on, align bumper over the caster bolts. Align bumper screw from the underside of cart, through the cart into bumper and tighten. See Exhibit 1.

Parts: 1/4"-20 Screw 8 each
Bumper 4 each



Removing Drawers

Drawers may be removed for cleaning or accessory attachment.

FOR TYPE-A GLIDES: Slide bottom drawer out to full extension in tracks. Push **down** on small black lever in **right** track and lift **up** on small black lever in **left** track while pulling drawer out completely. See Exhibit 2.

FOR TYPE-B GLIDES: Pull drawer out until it stops, then push in 1/4". Insert screwdriver through opening in drawer slide, then push "Stop" on guide in against side of drawer while pulling slightly outward. Repeat for other side, and remove drawer. To replace these drawers — pry "stops" on guides out 1/4"-3/16". Remount drawer on guides and push in. If drawers do not slide easily, adjust "stops" on guides by pushing them inward slightly.

Installing Drawers

Carefully line up glide on right and left sides. Insert drawer guide into glide. While holding in position, gently nudge into place while inserting drawer, failure to do so may result in drawer slipping out of place.

Installing Side Push Handle Assembly

Align the handle with weld nuts located on either side of the cart. Install the washer onto the hex screw and fasten onto cart.

Locking Mechanism

Your Homed Classic Cart is designed with an easy turn gang locking mechanism (non-emergency carts only). This locking mechanism is designed so you can unlock the cart, open a drawer then lock the cart, and as long as you keep one drawer in the open position, it will remain unlocked until all drawers are completely closed. The cart is then locked.