

Item # \_\_\_\_\_

Quantity \_\_\_\_\_

# Party Pleaser™ Bars

Stainless Steel With Designer Series Laminate Finishes



Model 884

## Attractive Exterior For A Classic Front-Of-The-House Presentation

- Durable and stylish exterior laminate is available in six Designer Series finishes.
- Stainless steel interior is easy to clean and sanitize.
- Compact size conserves floor space.
- Ideal for conference meeting areas, receptions and more.
- Removable 7-bottle speed rail.
- Durable, waterproof laminate top with stainless steel mixing shelf provides ample serving area.
- Generous built-in 40 lb. (18 kg.) ice bin with convenient drain.
- Easy to maneuver with four, tough duty 5" (127) casters - 2 swivel with brakes, two fixed.

Spec. # \_\_\_\_\_

AIA # \_\_\_\_\_



Lakeside Manufacturing, Inc.

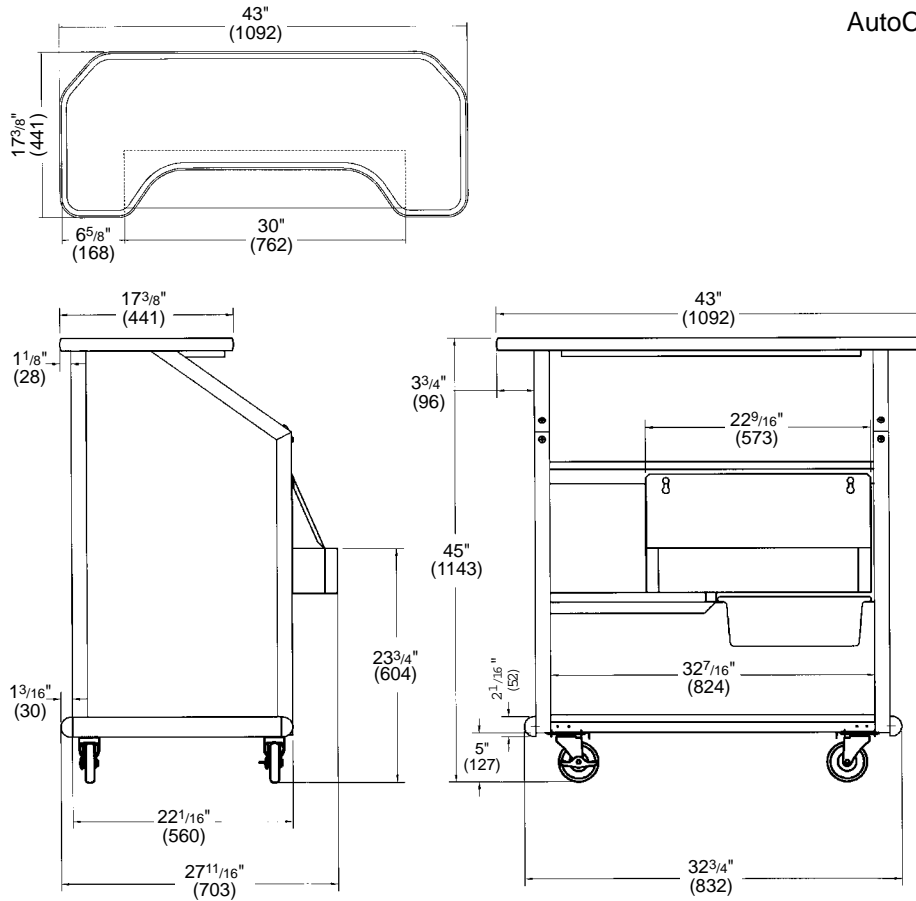
4900 West Electric Avenue • West Milwaukee, WI 53219 U.S.A.

800-558-8565 • 414-902-6400 • Fax 414-902-6446 • [www.eLakeside.com](http://www.eLakeside.com)

# Party Pleaser™ Bars

## Stainless Steel With Designer Series Laminate Finishes

AutoCAD drawings available  
through AutoQuotes  
and KCL CADalog



**Dimensions:**

Overall Dimensions:	27 <sup>3</sup> / <sub>4</sub> " W x 43" L x 45" H (705mm W x 1092mm L x 1143mm H)
Total Ice Capacity:	40 lb. (18 kg.)
Case Weight:	141 lb. (64 kg.)
Unit Weight:	135 lb. (61 kg.)

**Specifications:** Unit shall be Lakeside Model 884 and shall be constructed of welded stainless steel for easy cleaning and sanitation. The exterior shall be durable Designer Series laminate over stainless steel. The top shall be constructed of 1-1/4" (32 mm) thick, waterproof laminate with black finish. The top shall feature a recessed stainless steel mixing shelf. Stainless steel interior shall have a generous work shelf with one, 40 lb. (18 kg.) capacity ice bin with drain. Interior shall have compartments for storage of beverages and supplies. Unit shall have one removable, 7-bottle speed rail constructed of stainless steel. Unit shall have 4 each, 5" (127 mm) Lake-Glide® casters - 2 swivel with brake and 2 fixed.

**Optional Accessories:**

- Designer Series finishes are available.
- Custom laminate exterior finishes.



Lakeside Manufacturing, Inc.  
4900 West Electric Avenue • West Milwaukee, WI 53219 U.S.A.  
800-558-8565 • 414-902-6400 • Fax 414-902-6446 • www.eLakeside.com